

# ET-0802C-M12

## 10 Port M12 Industrial Unmanaged PoE+ Booster Gigabit Ethernet Switch



- Compliant with EN50155
- 8x 10/100T(x) M12 connector with IEEE 802.3at PoE+
- 2x 10/100/1000T(x) M12 connector with relay bypass
- Support Bypass function for non-stop communication even when no power exists
- Built for harsh environments and wide temperature range application
- IP40/IP54(Optional) housing
- Isolated redundant PoE power 190W



### Specifications

#### Technology

<b>Standards</b>	IEEE 802.3 10BaseT IEEE 802.3u 100BaseTX IEEE 802.3ab 1000BaseT IEEE 802.3af Power over Ethernet IEEE 802.3at PoE+
------------------	--

<b>Processing Type</b>	Store and Forward
------------------------	-------------------

#### Switch Properties

<b>Switch Fabric</b>	5.6Gbps
----------------------	---------

<b>Priority Queues</b>	-
------------------------	---

<b>MAC Table Size</b>	8K
-----------------------	----

<b>Packet Buffer</b>	4Mbits
----------------------	--------

#### Interface

<b>Network Connector</b>	8x 10/100T(x) M12 Female D-coded 4-pole with PoE+, 2x 10/100/1000T(x) M12 Female X-coded 8-pole, auto negotiation speed duplex mode, auto MDI/MDI-X
--------------------------	---

<b>LED Indicators</b>	<b>Per unit:</b> PWR1, PWR2, Status <b>Ports:</b> Link/Active with highest speed(Green), low speed(Amber) <b>PoE:</b> Output Power
-----------------------	--

#### Power Requirements

<b>Operation Voltage</b>	24VDC, 48VDC, HV: 72-110VDC, redundant dual inputs
--------------------------	--

<b>Connection</b>	M12 Male S-coded 4-pole
-------------------	-------------------------

<b>Power Consumption</b>	15W without PDs' consumption
--------------------------	------------------------------

<b>PoE Power Budget</b>	Max. 30 W per PoE port. Max. total output power for PD: 165W@24V input (normal temp.); 75W@24V input (75°C)
-------------------------	---

<b>Protection</b>	Overload Current Protected, Reverse Polarity Protected
-------------------	--

#### Mechanical Construction

<b>Enclosure</b>	SECC
------------------	------

<b>Protection Class</b>	IP40/IP54(Optional)
-------------------------	---------------------

<b>Dimensions</b>	181x99x94 mm (WxHxD)
-------------------	----------------------

<b>Weight</b>	1.52 kg
---------------	---------

<b>Mounting</b>	Wall Mounting Kits, Optional DIN-Rail Mounting
-----------------	--

#### Environmental Limits

<b>Operating Temperature</b>	Extended: -40°C ~ 75°C (-40°F ~ 167°F)
------------------------------	--

<b>Storage Temperature</b>	-40°C ~ 85°C (-40°F ~ 185°F)
----------------------------	------------------------------

<b>Ambient Relative Humidity</b>	5 to 95%, (Non-Condensing)
----------------------------------	----------------------------

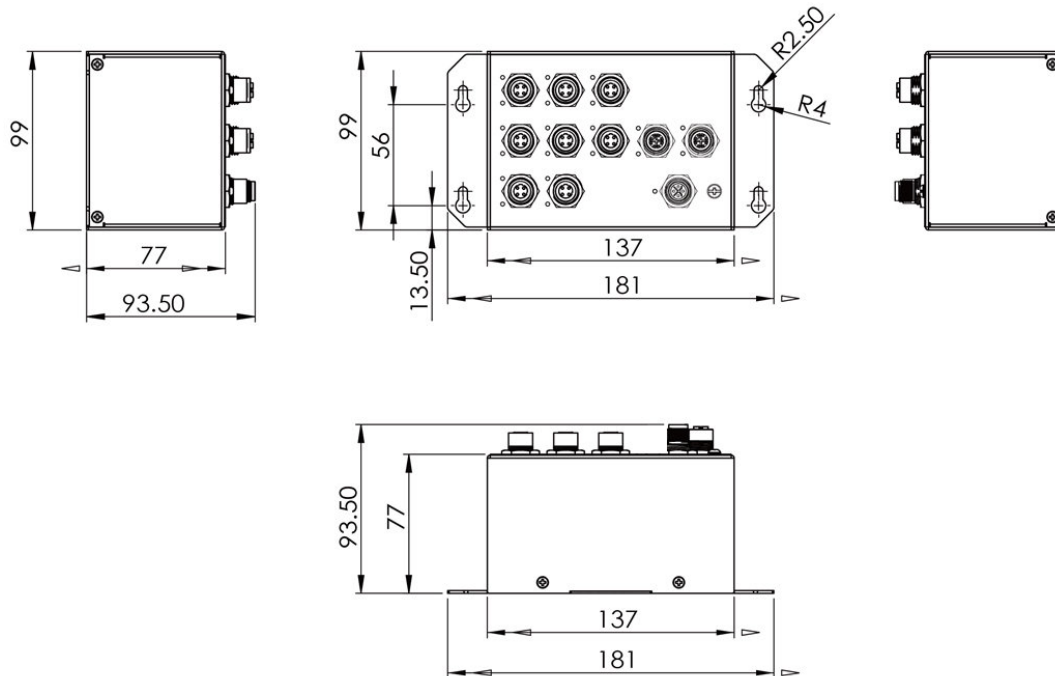
#### Regulatory Approvals

<b>EMI</b>	FCC Part 15 Subpart B Class A CE EN 55032 Class A
<b>EMS</b>	IEC61000-4-2 (ESD) IEC61000-4-3 (RS) IEC61000-4-4 (EFT) IEC61000-4-5 (Surge) IEC61000-4-6 (CS) IEC61000-4-8 (Magnetic Field)
<b>Free Fall</b>	IEC60068-2-32

<b>Shock</b>	IEC61373
<b>Vibration</b>	IEC61373
<b>Green</b>	RoHS Compliant
<b>Certifications</b>	EN 50155 EN 45545-2
<b>MTBF</b>	>100,000 hours
<b>Warranty</b>	5 Years

Features with star(\*) implies those are under development.  
In a continuing effort of improvement and updated technology, product specifications are subject to change without notice.

## Dimensions (unit = mm)



## Ordering Information

<b>ET-0802C-M12-24V2U-T</b>	<p>10 Port M12 Industrial Unmanaged PoE+ Booster Gigabit Ethernet Switch</p> <ul style="list-style-type: none"> <li>- 8x 10/100T(x) with 30W PSE + 2x 10/100/1000T(x) M12 connector</li> <li>- Power Input: 24VDC</li> <li>- Max. Power Budget: 190W</li> <li>- Operating Temperature: -40°C ~ 75°C (-40°F ~ 167°F)</li> <li>- Protection Class: IP40</li> </ul>
<b>ET-0802C-M12-24V2U-WT</b>	<p>10 Port M12 Industrial Unmanaged PoE+ Booster Gigabit Ethernet Switch</p> <ul style="list-style-type: none"> <li>- 8x 10/100T(x) with 30W PSE + 2x 10/100/1000T(x) M12 connector</li> <li>- Power Input: 24VDC</li> <li>- Max. Power Budget: 190W</li> <li>- Operating Temperature: -40°C ~ 75°C (-40°F ~ 167°F)</li> <li>- Protection Class: IP54</li> </ul>
<b>ET-0802C-M12-48V2U-T</b>	<p>10 Port M12 Industrial Unmanaged PoE+ Booster Gigabit Ethernet Switch</p> <ul style="list-style-type: none"> <li>- 8x 10/100T(x) with 30W PSE + 2x 10/100/1000T(x) M12 connector</li> <li>- Power Input: 48VDC</li> <li>- Max. Power Budget: 190W</li> <li>- Operating Temperature: -40°C ~ 75°C (-40°F ~ 167°F)</li> <li>- Protection Class: IP40</li> </ul>
<b>ET-0802C-M12-48V2U-WT</b>	<p>10 Port M12 Industrial Unmanaged PoE+ Booster Gigabit Ethernet Switch</p> <ul style="list-style-type: none"> <li>- 8x 10/100T(x) with 30W PSE + 2x 10/100/1000T(x) M12 connector</li> <li>- Power Input: 48VDC</li> </ul>

- Max. Power Budget: 190W
- Operating Temperature: -40°C ~ 75°C (-40°F ~ 167°F)
- Protection Class: IP54

---

**ET-0802C-M12-HVU-T**

- 10 Port M12 Industrial Unmanaged PoE+ Booster Gigabit Ethernet Switch
- 8x 10/100T(x) with 30W PSE + 2x 10/100/1000T(x) M12 connector
  - Power Input: 72-110VDC
  - Operating Temperature: -40°C ~ 75°C (-40°F ~ 167°F)
  - Protection Class: IP40

---

**ET-0802C-M12-HVU-WT**

- 10 Port M12 Industrial Unmanaged PoE+ Booster Gigabit Ethernet Switch
- 8x 10/100T(x) with 30W PSE + 2x 10/100/1000T(x) M12 connector
  - Power Input: 72-110VDC
  - Operating Temperature: -40°C ~ 75°C (-40°F ~ 167°F)
  - Protection Class: IP54